

## TOOLS FOR FAÇADES



### TOOLS FOR FAÇADES

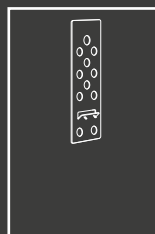
RAI-FIX SYSTEM .....	E2
RAI-FIX A ND RAI-CUT .....	E3
FORACOSTE .....	E4
SLOT .....	E5
ACCESSORIES FOR FORACOSTE AND SLOT .....	E6



Line of products for the application of the porcelain or natural stones tiles/slabs in the façades.

The RAI-FIX Safety withholding hook provides a simple and effective solution to prevent the fall of the tiles (applied with adhesive) in case of detachment from the wall.

Foracoste and Slot allow you to make the necessary work to install slabs and tiles with ventilated façade systems di-rectly on the building site.



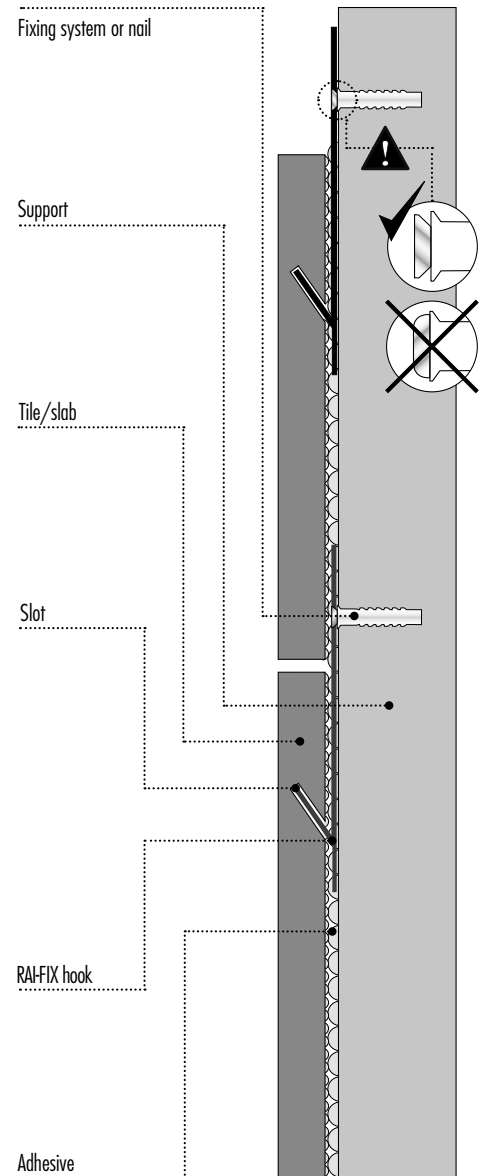
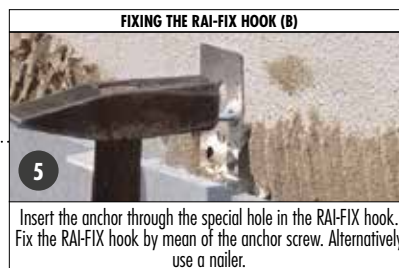
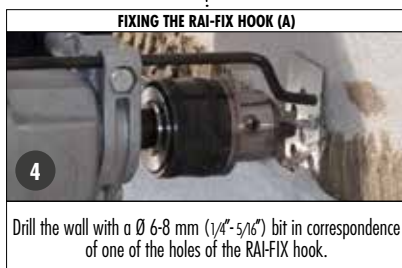
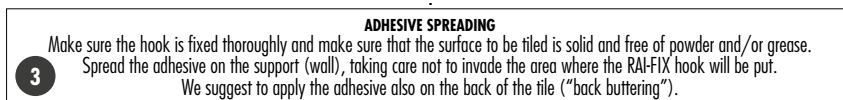
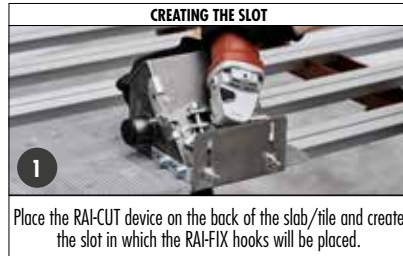
## WHAT IS RAI-FIX SYSTEM

- The safety withholding hook RAI-FIX is a simple and effective device that prevents the tile/slab (set with adhesive) to fall down in the event of detachment from the wall.
- When installing tiles/slabs bigger that 30 cm - 12" (being them in ceramic, porcelain or natural stone) in façade with adhesive, it is required to use a mechanical safety system which prevents the tile / slab to fall down in the event of detachment of the adhesive.\*
- Indeed adhesives guarantee perfect anchorage of the tile/slab only if perfectly applied. But this is not always the case. In addition to that, it is hard to predict the strains the tile/slab will have to bear because of building's settlement as well as expansion for temperature range, extreme weather conditions, earthquake and so on...
- Therefore, the safety withholding hook RAI-FIX is a crucial ally of the architect/designer (and of course of the buyer) to assure the maximum safety. In addition to that RAI-FIX expands the design possibilities since tiles and slabs of any size can be now used.
- Aesthetically speaking, RAI-FIX is the perfect solution since it is completely invisible once the façade is done. In fact RAI-FIX has to be placed between the tile / slab and the wall and therefore it is

- 100% hidden.
- The safety withholding hook RAI-FIX is made of stainless steel and can be used with tiles / slabs of minimum thickness 5 mm (3/16").
- Size of the RAI-FIX hook: 40x120 mm; number of holes: 11 (10 holes Ø 8 mm and 1 hole Ø 9 mm for inserting the screws).
- The RAI-FIX hooks are inserted in the incisions made on the back of the tiles/slabs through of a special toothed "wing" (in the models 8 and 6 mm): The "wing" is realized so that it can not be deployed under the weight of the slab. The teeth prevent the RAI-FIX hook from pulling out of the incision during the laying of the tile/slab in addition to guaranteeing a better mechanical anchorage to the slab even when installed
- The installation is very simple and is carried out directly on the jobsite in a few seconds.

\* Regulations may vary from Country to Country. Therefore it is necessary to refer to the legislation in force in the area where the building / jobsite rises.

## HOW TO USE IT



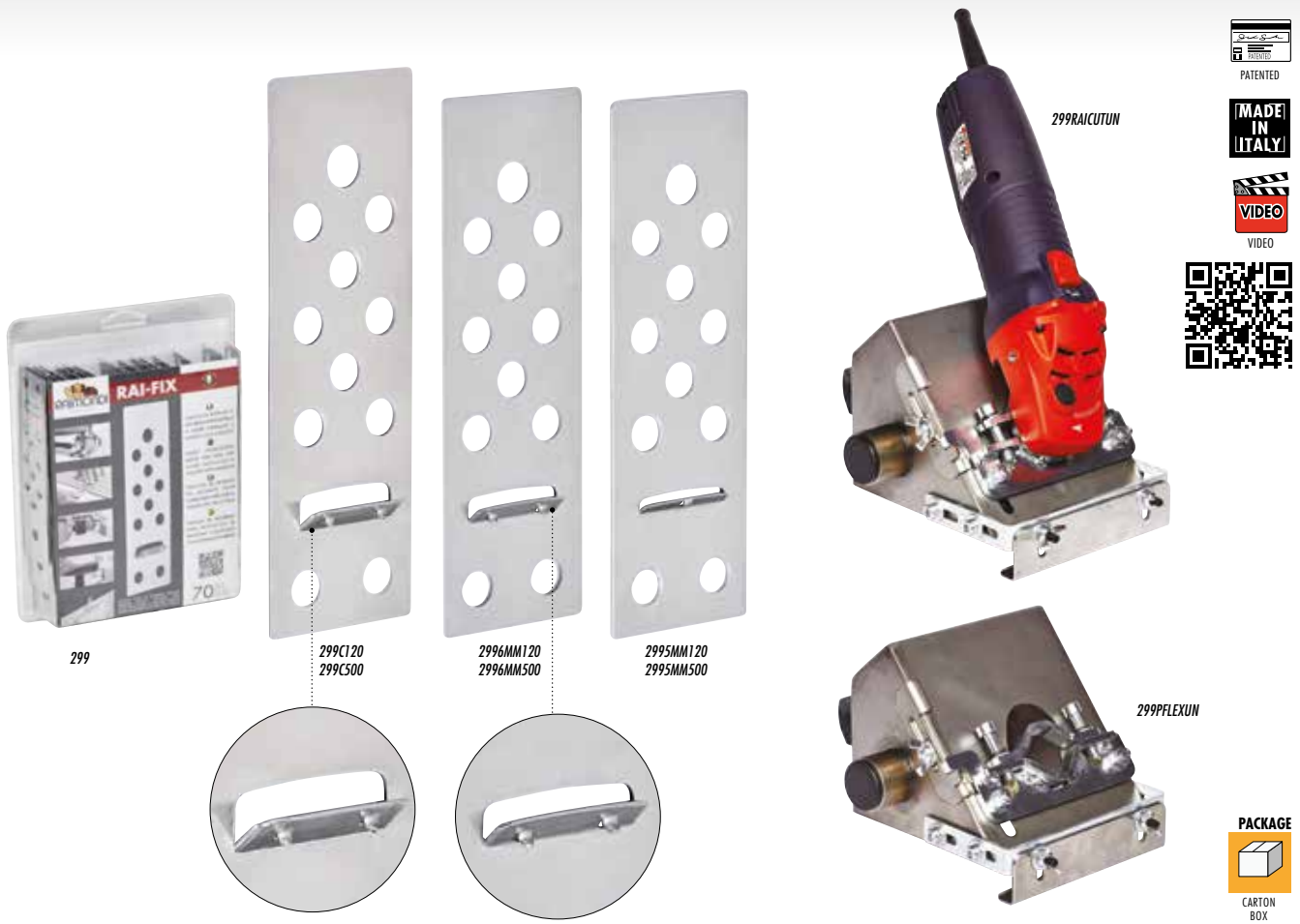
## INDICATIVE CONSUMPTION

- The suggested consumption is purely indicative.
- In any case it is the designer's task to determine the number of hooks per tile/slabs according to

the regulations in force and the specific variables of the each jobsite, including consistency of the substrate and type of anchors used.

		MAX						PIECES PER TILE	
		RAI-FIX 5 mm		RAI-FIX 6 mm		RAI-FIX 8 mm			
0 < x ≤ 60 cm	0" < x ≤ 24"	33 Kg*	72 lbs*	45 Kg*	99 lbs*	60 Kg*	132 lbs*	1	
60 < x ≤ 200 cm	24" < x ≤ 79"	66 Kg*	145 lbs*	90 Kg*	198 lbs*	120 Kg*	264 lbs*	2	
200 < x ≤ 320 cm	79" < x ≤ 126"	99 Kg*	218 lbs*	135 Kg*	297 lbs*	180 Kg*	396 lbs*	3	

\* Conservatively, in the tables it has been considered halved loads compared to the maximum potential measured by the laboratory.



TOOLS FOR FAÇADES

**RAI-FIX 8 mm (5/16") - SAFETY WITHHOLDING HOOK**

- RAI-FIX hook for tiles and slabs of minimum thickness 8 mm (5/16").
- Made in premium quality stainless steel.
- Tensile strength laboratory tests gave the following result: 120 Kg (264 lbs).
- With 10 holes Ø 8 mm (5/16") and one hole Ø 9 mm (1/3") for inserting the anchor screw.

Part No.	Barcode	Box	Description	Diagram	Pcs per box	packaging	Dimensions	Weight
299	8024648075604	1	RAI-FIX 8 mm (0.31")	tile thickness minimum 8 mm (0.31")	70	blister	24x18xh 5 cm	1,2 Kg
299C120	8024648076267	1	RAI-FIX 8 mm (0.31")		120	Box	27x15xh 10 cm	2,1 Kg
299C500	8024648078230	1	RAI-FIX 8 mm (0.31")		500	Box	33x23xh 17 cm	9 Kg

**RAI-FIX 6 mm (1/4") - SAFETY WITHHOLDING HOOK**

- RAI-FIX hook for tiles and slabs with thickness lower than 8 mm (0.31"), min 6 mm (0.24").
- Made in premium quality stainless steel.
- Tensile strength laboratory tests gave the following result: 90 Kg (198 lbs).
- With 10 holes Ø 8 mm (5/16") and one hole Ø 9 mm (1/3") for inserting the anchor screw.

Part No.	Barcode	Box	Description	Diagram	Pcs per box	packaging	Dimensions	Weight
2996MM120	8024648081582	1	RAI-FIX 6 mm (0.24")	tile thickness lower than 8 mm (0.31"), min 6 mm (0.24")	120	Box	27x15xh 10 cm	2,1 Kg
2996MM500	8024648081681	1	RAI-FIX 6 mm (0.24")		500	Box	33x23xh 17 cm	9,3 Kg

**RAI-FIX 5 mm (3/16") - SAFETY WITHHOLDING HOOK**

- RAI-FIX hook for tiles and slabs with thickness lower than 6 mm (0.24"), min 5 mm (0.20").
- Made in premium quality stainless steel.
- Tensile strength laboratory tests gave the following result: 66 Kg (145.5 lbs).
- With 10 holes Ø 8 mm (5/16") and one hole Ø 9 mm (1/3") for inserting the anchor screw.

Part No.	Barcode	Box	Description	Diagram	Pcs per box	packaging	Dimensions	Weight
2995MM120	8050532002906	1	RAI-FIX 5 mm (0.20")	tile thickness lower than 6 mm (0.24"), min 5 mm (0.20")	120	Box	27x15xh 10 cm	2,1 Kg
2995MM500	8050532002913	1	RAI-FIX 5 mm (0.20")		500	Box	33x23xh 17 cm	8,6 Kg

**RAI-CUT**

- The RAI-CUT device is part of the RAI-FIX system and it is fundamental to create the slot in the back of the tile/slab. Slot where to insert the RAI-FIX hook.
- RAI-CUT works on tiles/slabs with min thickness of 5 mm (0.20").
- RAI-CUT is made of stainless steel and it is provided with clutch hole for connecting a vacuum dust extractor (Ø 38 mm - 1 1/2").
- RAI-CUT can be supplied with or without angle grinder (power 900W).
- Thanks to its semi-universal attachment, RAI-CUT is compatible with the most popular brands and models of angle grinders.
- RAI-CUT cuts dry with diamond disc Ø 125 mm (5").

Part No.	Barcode	Box	Description	Power	Dimensions	Weight
299RAICUTUN	8024648092236	1	RAI-CUT with angle grinder	900W - 230V 50/60 Hz	40x40xh 15 cm 15 3/4"x15 3/4"xh 6"	5,6 Kg
299RAICUT110V	8024648077516	1	RAI-CUT with angle grinder with US plug	780W - 110V 50/60 Hz		5,6 Kg
299RAICUTGB	8024648083531	1	RAI-CUT with angle grinder with GB plug	780W - 110V 50/60 Hz		5,6 Kg
299PFLEX UN	8024648087621	1	RAI-CUT without angle grinder	-	40x40xh 15 cm 15 3/4"x15 3/4"xh 6"	2,2 Kg
179CCT125	8024648075703	1	Ø 125 mm (5") diamond disc (dry cut)	-	-	-



TOOLS FOR FAÇADES

**TECHNICAL CHARACTERISTICS**



**ACCESSORIES**



**PACKAGE**



- To make holes on the side of tiles, porcelain slabs, marble, granite, natural stone, etc.
- Holes Ø: minimum 4 mm (5/32"); maximum 12 mm (1/2").
- Maximum hole depth: 30 mm (1 3/16").
- Tile thickness: maximum 30 mm (1 3/16"); minimum 20 mm (13/16").
- It works on tiles of any size.
- To operate Foracoste has to be fixed to a bench (with table of maximum thickness 40 mm - 1 5/8") and a height not exceeding 94 cm - 37"). It is recommended the modular bench BM180<sup>MKit</sup> (Art. 394MA RAI) and previous versions.
- Adjustable height (from the ground) from 64 to 94 cm (25"-37") by telescopic monopod.
- Internal cooling of the diamond bits with water (pump).
- Polypropylene tank equipped with wheels. Capacity 80 liters (21 gals).
- Variable speeds from 260 to 1050 rpm.
- It is possible to use two Foracoste simultaneously on the same tile/slab. The minimum distance between the holes is 400 mm (15 3/4").
- Accessories: Squares kit + 2 stand-alone tile holders (applicable only on the modular bench BM180<sup>MKit</sup> - Art. 394MA RAI) and previous versions, diamond bits.
- Supplied with manual use and maintenance, keys kit.

**MODELS, SPECIFICATIONS, DIMENSIONS, WEIGHT**

Part No.													
<b>210F EU</b>	8024648088277	1	230V 50/60Hz	single-phase	1100 W	260 / 1050	•	30 mm 1 3/16"	4 mm - 12 mm 5/32" - 1/2"	72x45x h 47 cm 28 3/8"x17 3/4"xh 18 1/2"	25 Kg 55.1 lbs	74x58xh 41 cm 29"x23"xh 16"	28,2 Kg 62.2 lbs

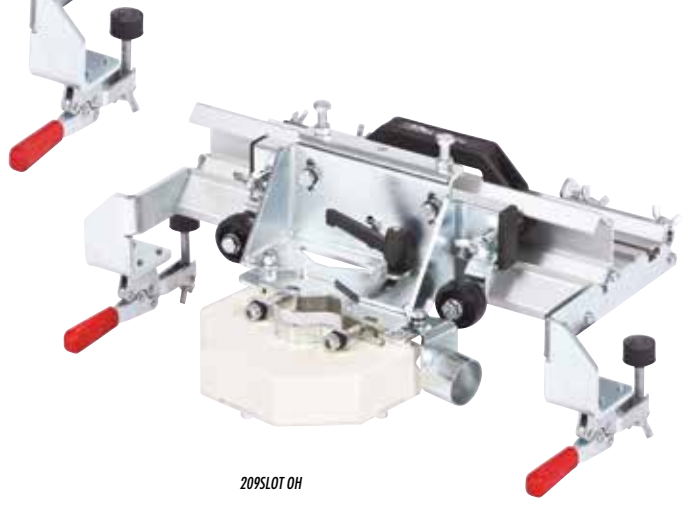
**PERFORMANCES**

Model	MINIMUM HOLE Ø		MAXIMUM HOLE Ø		MAXIMUM TILE THICKNESS		MINIMUM TILE THICKNESS		MAXIMUM HOLE DEPTH		MAX TILE LENGHT	MAX TILE WIDTH
<b>FORACOSTE</b>	4 mm	5/32"	12 mm	1/2"	30 mm	1 3/16"	20 mm	13/16"	30 mm	1 3/16"	∞	∞





209SLOT



209SLOT OH

**AVAILABLE BLADES**



DISCO CORONA CONTINUA

**ACCESSORIES**



SQUARES KIT + TILE HOLDERS

**TECHNICAL CHARACTERISTICS**



Ø 150mm



Ø 22mm

**PACKAGE**



CARTONE

- To create slots/incisions on the side of tiles, porcelain slabs, marble, granite, natural stone, etc.
- Tile thickness: maximum 30 mm (1 3/16"); minimum 20 mm (13/16").
- It works on tiles of any size.
- Maximum incision/slot length: 130 mm (5 1/8").
- Maximum slot depth: 15 mm (5/8").
- Dry cut.
- Diamond disc Ø 150 mm (6").
- Provided with clutch hole for dust extraction.

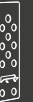
- Slot has to operate on a bench/table. The modular bench BM180 MkII (Art. 394MA RAI) is recommended.
- Available with or without angle grinder.
- Equipped with semi-universal attachment: compatible with angle grinders of the most popular brand.
- Accessories: squares kit + 2 stand-alone tile holders (applicable only on the modular bench BM180 MkII and previous versions).
- Supplied with manual use and maintenance, keys kit and diamond disc Ø 150 mm (6").

**MODELS, SPECIFICATIONS, DIMENSIONS, WEIGHT**

Part No.	Barcode	Description	⚡	M	⚙️	⚙️	⚖️	📦	📦
<b>209SLOT 230V</b>	8024648093004	Slot equipped with 900W angle grinder (230V 50/60 Hz)	230V 50/60Hz	singlephase	900 W	11.000	9,4 Kg 20.7 lbs	49x39xh 25 cm	10,3 Kg 22.7 lbs
<b>209SLOT OH</b>	8024648092984	Slot supplied without angle grinder	-	-	-	-	6,7 Kg 14.8 lbs	19"x15 1/3"xh 10"	7,6 Kg 16.8 lbs

**PERFORMANCES**

Model	⊘		MAXIMUM TILE THICKNESS		MINIMUM TILE THICKNESS		MAXIMUM INCISION/SLOT LENGTH		INCISION DEPTH		MAX TILE LENGTH		MAX TILE WIDTH	
	150 mm	6"	30 mm	1 3/16"	20 mm	13/16"	130 mm	5 1/8"	15 mm	5/8"	∞	∞	∞	∞
<b>SLOT</b>	150 mm	6"	30 mm	1 3/16"	20 mm	13/16"	130 mm	5 1/8"	15 mm	5/8"	∞	∞	∞	∞



TOOLS FOR FAÇADES



394MA RAI



394BLOPIACP



209KIT



179CC150SE



181D4


181D6

181D8

181D10

181D12

ACCESSORIES, RELATED PRODUCTS AND DIAMOND TOOLS

Part No.		Description	FORACOSTE	SLOT
<b>394MA RAI</b>	8050532000995	BM180 MkII Modular bench (worktop dimensions 180x90 cm – 3'x6'; max load 150 Kg – 331 lbs)	•	•
<b>209KIT</b>	8024648093523	Squares kit + 2 stand-alone tile holders for BM180 MkII (and previous versions)	•	•
<b>394BLOPIACP</b>	8024648096678	Stand-alone tile holder for BM180 MkII (and previous versions) – pair	•	•
<b>179CC150SE</b>	8024648087171	Continuous rim diamond disc Ø 150 mm (6") – dry use	–	•
<b>181D4</b>	8024648075123	Diamond bit (wet use) Ø 4 mm (5/32")	•	–
<b>181D6</b>	8024648003973	Diamond bit (wet use) Ø 6 mm (1/4")	•	–
<b>181D8</b>	8024648003966	Diamond bit (wet use) Ø 8 mm (5/16")	•	–
<b>181D10</b>	8024648003959	Diamond bit (wet use) Ø 10 mm (3/8")	•	–
<b>181D12</b>	8024648003942	Diamond bit (wet use) Ø 12 mm (1/2")	•	–

